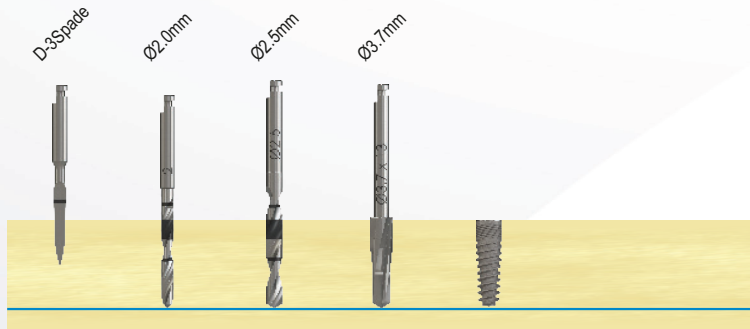
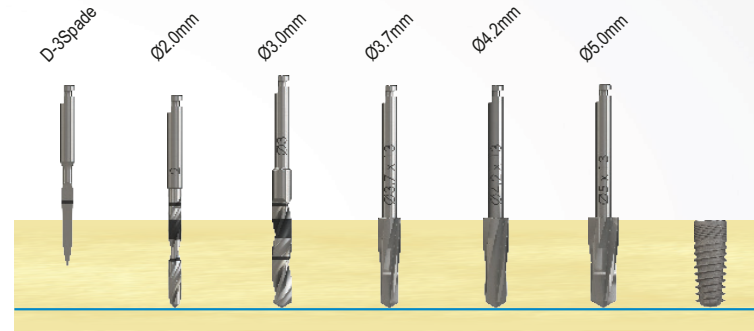


Internal Hex 03.75mm, 04.2mm, 05.0mm Tapered Implants - Drill Sequence

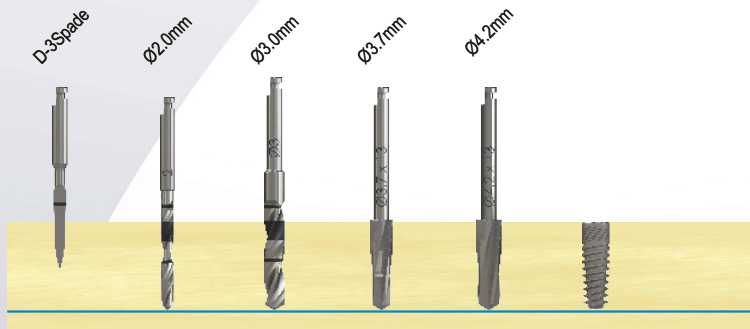
Tapered (IM-T37)



Tapered (IM-T50)



Tapered (IM-T42)



NOTE: Site preparation Sequence recommended by Southern Implants does not replace the judgement and experience of the surgeon. (illustration is for 13mm implants).